



Features

SEL-USE

- Surface mount devices
- Very high voltage surge capabilities
- Available in lead-free version
- Agency Recognition: UL、CSA、TUV

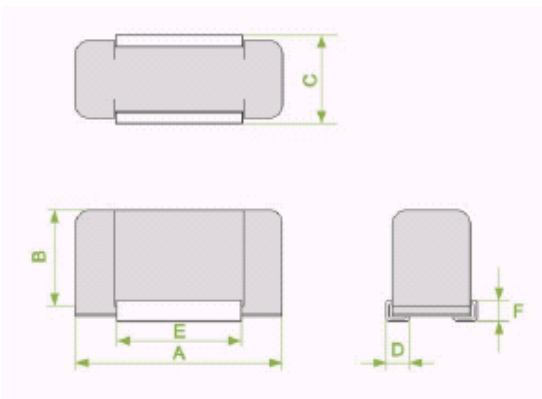


LMV series

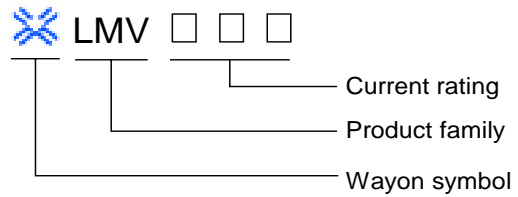
Surface mount devices

Product Dimensions

Part number	A Max	B Max	C Max	D Max	E Max	F Max
LMV170	19.4	12.3	8.3	2.4	10.4	2.3
LMV200	19.4	12.3	8.3	2.4	10.4	2.3



Marking system



* Lead-free devices are available,
the right logo is lead-free mark of wayon.



Electrical Characteristics

Part number	I_H (A)	I_T (A)	T_{trip} Current(A) Time(S)	$V_{max\ interrupt}$ (V)	I_{max} (A)	Pd_{typ} (W)	R_{min} ()	R_{max} ()
LMV170	0.170	0.340	1.00 10.00	600	3.0	2.50	4.0	9.0
LMV200	0.200	0.400	1.00 12.00	600	3.0	2.50	4.0	7.5

I_H =Hold current: maximum current at which the device will not trip at 25 still air.

I_T =Trip current: minimum current at which the device will always trip at 25 still air.

$V_{max\ interrupt}$ =Maximum voltage device can withstand without damage at rated current.

I_{max} =Maximum fault current device can withstand without damage at rated voltage.

T_{trip} =Maximum time to trip(s) at assigned current.

Pd_{typ} =Typical power dissipation: typical amount of power dissipated by the device when in state air environment.

R_{min} =Minimum device resistance at 25 prior to tripping.

R_{max} =Maximum device resistance at 25 prior to tripping.

Thermal Derating Chart-I_H(A)

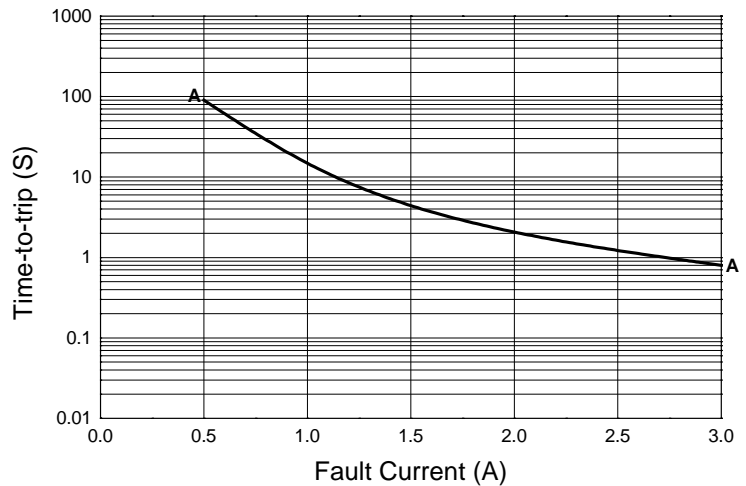
Part number	Maximum ambient operating temperatures()								
	-40	-20	0	25	40	50	60	70	85
LMV170	0.264	0.230	0.200	0.170	0.140	0.125	0.100	0.094	0.070
LMV200	0.310	0.275	0.238	0.200	0.165	0.147	0.128	0.110	0.083

Test Procedures And Requirements

Test	Test Conditions	Accept/Reject Criteria
Resistance	In still air @ 25	R _{min} R R _{max}
Time to Trip	Specified current, V _{max} , 25	T maximum Time to Trip
Hold Current	30min, at I _H	No trip
Trip Cycle Life	V _{max} , I _{max} , 100cycles	No arcing or burning
Trip Endurance	V _{max} , 24hours	No arcing or burning

Typical Time-to-Trip Charts at 25

A=LMV170/LMV200



Package Information

Bulk:

LMV170~LMV200.....200pcs per bag

Tape & Reel:

LMV170~LMV200.....300pcs per reel